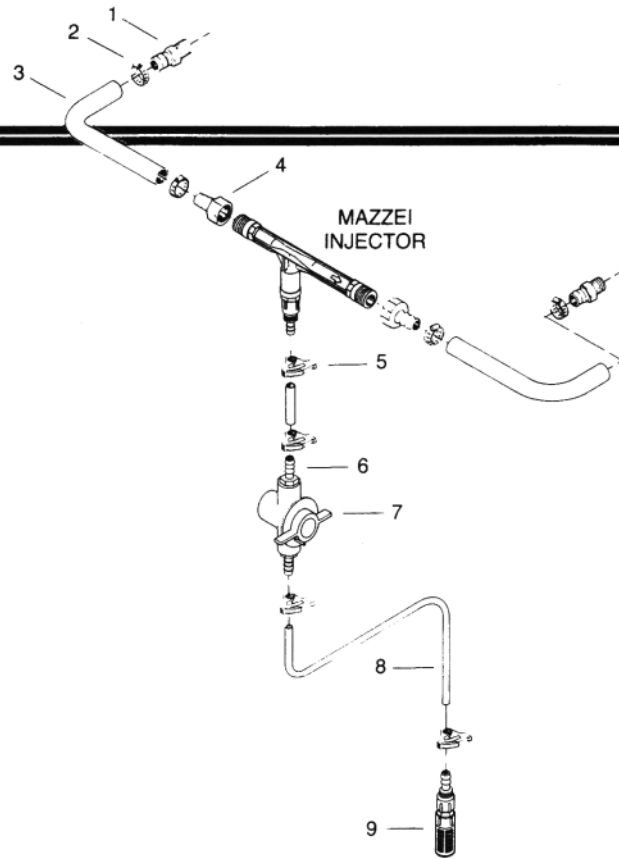




## Mazzei Injector Price list 1-1-2019



| NEW PART #                              | OLD PART # | DESCRIPTION                     | 1-1-19 LIST |
|---|------------|---------------------------------|-------------|
| Injectors - Polypropylene               |            |                                 |             |
| MZ-0283-PP                              | 283        | 1/2" INJECTOR 1/4" BARB SUCTION | 47.00       |
| MZ-0384-PP                              | 384        | 1/2" INJECTOR 1/4" BARB SUCTION | 66.00       |
| MZ-0484-A-PP                            | 484A       | 3/4" INJECTOR 1/4" BARB SUCTION | 66.00       |
| MZ-0584-PP                              | 584        | 3/4" INJECTOR 1/4" BARB SUCTION | 66.00       |
| MZ-0878-02-PP                           | 878        | 1" INJECTOR 1/2" BARB SUCTION   | 108.00      |
| MZ-1078-3-PP                            | 1078       | 1" INJECTOR 1/2" BARB SUCTION   | 108.00      |
| MZ-1583-A-PP                            | 1583A      | 1.5" INJECTOR 1/2" BARB SUCTION | 136.00      |
| Bypass kits (includes suction line kit) |            |                                 |             |
| MZ-K-184-A                              | K 184A     | 1/2" BYPASS KIT, 1/4" SUCTION   | 174.00      |
| MZ-K-184-B                              | K 184B     | 3/4" BYPASS KIT, 1/4" SUCTION   | 181.00      |
| MZ-K-181-A-02                           | K 181A 1/2 | 1" BYPASS KIT, 1/2" SUCTION     | 288.00      |
| MZ-K-183-A                              | K 183A     | 1.5" BYPASS KIT, 1/2" SUCTION   | 288.00      |
| Suction line kits only                  |            |                                 |             |
| MZ-K-184-SK                             | K 184 SK   | SUCTION KIT FOR 1/4" SUCTIONS   | 85.00       |
| MZ-K-183-SK                             | K 183 SK   | SUCTION KIT FOR 1/2" SUCTIONS   | 157.00      |
| All above items are Code D              |            |                                 |             |



## Injector Kit Assemblies

Injector Kit Assemblies include a complete set of both bypass and suction line parts for connecting Mazzei Injectors into a water or fluid system. Kit assemblies are available for all models and sizes of Mazzei Injectors.

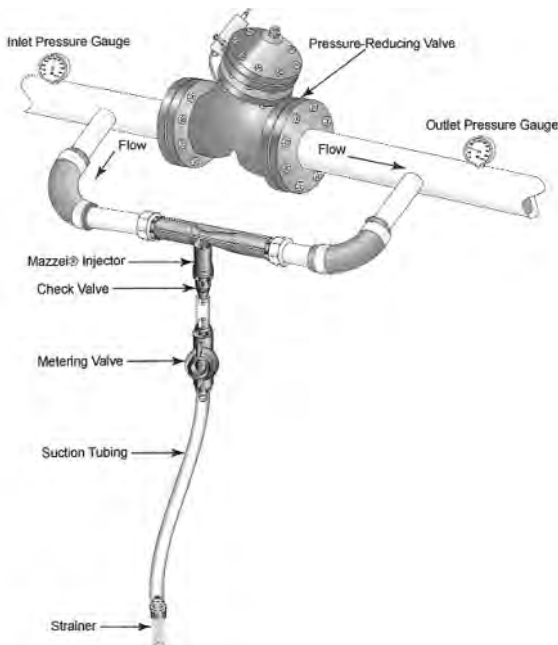
|                             | Key | Description                    |
|-----------------------------|-----|--------------------------------|
| Bypass<br>Hose<br>Assembly  | 1   | Male Hose Connector            |
|                             | 2   | S.S. Hose Clamp                |
|                             | 3   | Heavy Duty Hose                |
|                             | 4   | Female Hose Connector          |
| Suction<br>Line<br>Assembly | 5   | Tubing Clamp                   |
|                             | 6   | Tube Connector                 |
|                             | 7   | Metering Valve                 |
|                             | 8   | Tubing (Length Approx. 10 ft.) |
|                             | 9   | Strainer Assembly              |

**Note:**  
Suction line assembly may be purchased independent of bypass hose assembly.

## TYPICAL MAZZEI INSTALLATIONS

The injector can be installed around a point of restriction, such as a regulator valve or a gate valve to achieve a pressure differential.

When mainline pressure cannot be reduced, a small booster pump can be used to create a sufficient differential to operate the injector.





## Mazzei Flow Meter Price list 6-17-2020



MZ-F-30-L



MZ-F-44 Series

(MZ-F-30-L recommended for 1/2"-3/4" injectors)

(2 clamps per meter to install on suction line)



(MZ-F-44 series flow meters recommended for 1"-1.5" injectors)



(1 coupler per meter to install on suction line)

| Part #        | Description                    | 6-17-20 List |
|---------------|--------------------------------|--------------|
| MZ-F-30-L     | METER 5.0-40.0 GPH, 1/4" BARBS | 75.00        |
| MZ-CLAMP#23   | CLAMP FOR 1/4"ID X 3/8"OD TUBE | 1.50         |
| MZ-F-44560L-8 | METER 5.0-60.0 GPH, 0.5" MPT   | 364.00       |
| MZ-F-44375L-8 | METER 0.1-1.0 GPM, 0.5" MPT    | 364.00       |
| MZ-F-44376L-8 | METER 0.2-2.0 GPM, 0.5" MPT    | 364.00       |
| MZ-F-44500L-8 | METER 0.5-5.0 GPM, 0.5" MPT    | 364.00       |
| MZ-F-44750L-8 | METER 1.0-10.0 GPM, 0.5" MPT   | 418.00       |
| MZ-CP-5-PVC   | 1/2" FPT BLACK COUPLING        | 3.00         |



## Mazzei MZ-F-44 Series Flow Meter Installation

