



## Mazzei Injector Price list 5-1-2022



NEW PART #	OLD PART #	DESCRIPTION	5-1-22 LIST
Injectors - Polypropylene			
MZ-0283-PP	283	1/2" INJECTOR 1/4" BARB SUCTION	57.00
MZ-0384-PP	384	1/2" INJECTOR 1/4" BARB SUCTION	80.00
MZ-0484-A-PP	484A	3/4" INJECTOR 1/4" BARB SUCTION	80.00
MZ-0584-PP	584	3/4" INJECTOR 1/4" BARB SUCTION	80.00
MZ-0878-02-PP	878	1" INJECTOR 1/2" BARB SUCTION	132.00
MZ-1078-3-PP	1078	1" INJECTOR 1/2" BARB SUCTION	132.00
MZ-1583-A-PP	1583A	1.5" INJECTOR 1/2" BARB SUCTION	166.00
Bypass kits (includes suction line kit)			
MZ-K-184-A	K 184A	1/2" BYPASS KIT, 1/4" SUCTION	226.00
MZ-K-184-B	K 184B	3/4" BYPASS KIT, 1/4" SUCTION	235.00
MZ-K-181-A-02	K 181A 1/2	1" BYPASS KIT, 1/2" SUCTION	351.00
MZ-K-183-A	K 183A	1.5" BYPASS KIT, 1/2" SUCTION	361.00
Suction line kits only			
MZ-K-184-SK	K 184 SK	SUCTION KIT FOR 1/4" SUCTIONS	103.00
MZ-K-183-SK	K 183 SK	SUCTION KIT FOR 1/2" SUCTIONS	191.00



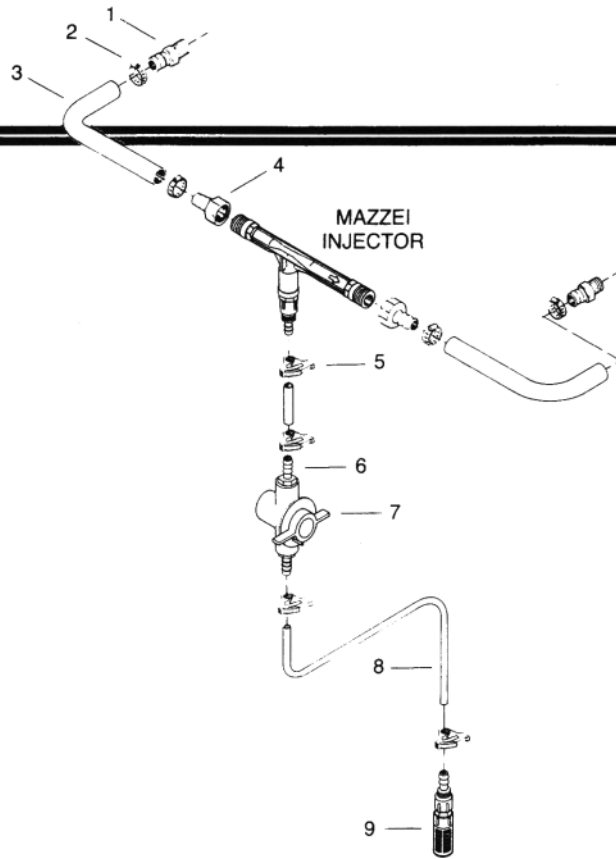
## Injector Kit Assemblies

Injector Kit Assemblies include a complete set of both bypass and suction line parts for connecting Mazzei Injectors into a water or fluid system. Kit assemblies are available for all models and sizes of Mazzei Injectors.

	Key	Description
Bypass Hose Assembly	1	Male Hose Connector
	2	S.S. Hose Clamp
	3	Heavy Duty Hose
	4	Female Hose Connector
Suction Line Assembly	5	Tubing Clamp
	6	Tube Connector
	7	Metering Valve
	8	Tubing (Length Approx. 10 ft.)
	9	Strainer Assembly

**Note:**

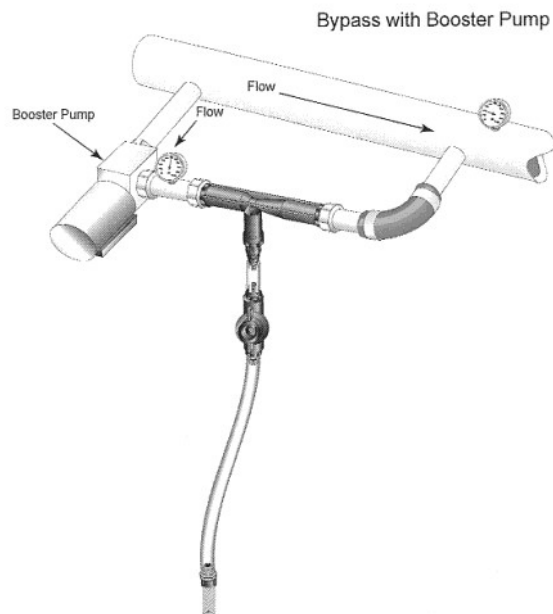
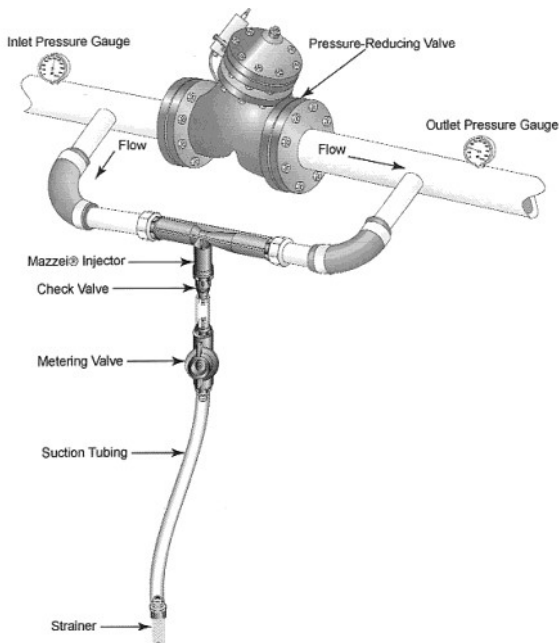
Suction line assembly may be purchased independent of bypass hose assembly.



## TYPICAL MAZZEI INSTALLATIONS

The injector can be installed around a point of restriction, such as a regulator valve or a gate valve to achieve a pressure differential.

When mainline pressure cannot be reduced, a small booster pump can be used to create a sufficient differential to operate the injector.





MZ-F-30-L

## Mazzei Flow Meter Price list 1-1-2022



MZ-F-44 Series

(MZ-F-30-L recommended for 1/2"-3/4" injectors)

(2 clamps per meter to install on suction line)



(MZ-F-44 series flow meters recommended for 1"-1.5" injectors)



(1 coupler per meter to install on suction line)

Part #	Description	1-1-22 List
MZ-F-30-L	METER 5.0-40.0 GPH, 1/4" BARBS	call
MZ-CLAMP#23	CLAMP FOR 1/4"ID X 3/8"OD TUBE	call
MZ-F-44560L-8	METER 5.0-60.0 GPH, 0.5" MPT	call
MZ-F-44375L-8	METER 0.1-1.0 GPM, 0.5" MPT	call
MZ-F-44376L-8	METER 0.2-2.0 GPM, 0.5" MPT	call
MZ-F-44500L-8	METER 0.5-5.0 GPM, 0.5" MPT	call
MZ-F-44750L-8	METER 1.0-10.0 GPM, 0.5" MPT	call
MZ-CP-5-PVC	1/2" FPT BLACK COUPLING	call



## Mazzei MZ-F-44 Series Flow Meter Installation

